

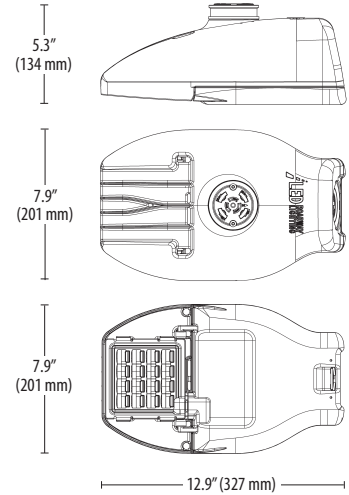
NXT^{LITE} SERIES

NXT-LITE-S SPECIFICATIONS

Housing:	Single piece, die-cast A360 aluminum
Operating Temperature:	-40°C to +40°C (-40°F to +104°F)
Mounting:	1.625" - 2.375" (42 - 60 mm) O.D. Tenons
Mounting Methods:	Horizontal Entry or Post-Top Mount
Weight:	8 lbs (3.6 kg)
EPA Rating:	<0.3 ft ² (< 0.028 m ²)
Ingress Protection:	Power supply and optical assembly are IP66 rated per IEC 60529/ANSI C136.25. Luminaire is rated for wet locations. IP66 wiring chamber (optional).
Finish:	Durable polyester powdercoat topcoat.

Available Colors:

GREY (RAL 7035)



	NXT-LITE-S (8 LEDs)							NXT-LITE-S (16 LEDs)							NXT-LITE-S (16 LEDs)	
ELECTRICAL																
LED Voltage (V)	3							3							12	
Drive Currents (mA)	350	450	525	600	700	850	1050	350	450	525	600	700	850	1050	300	350
Power Consumption (W)	13	16	18	18	21	24	30	21	26	30	33	38	47	58	65	75
Input Voltage (V)	120 - 277V (Standard), 347 - 480V (Optional)															
Surge Protection	Meets ANSI C136.2 - 2015 extreme electrical transient immunity requirements (20kV / 10kA)															
Power Factor	>0.90															
Receptacle	7-PIN receptacle (ANSI C136.41)															

OPTICS & PERFORMANCE																
Photometry (Distribution)	2ES, 3LM															
Color Temperature (CCT)	4000K (Standard), 3000K (Optional)															
Color Rendering Index (CRI)	70															
3000K Fixture Efficacy (Lm/W)	100	100	103	111	107	110	108	116	115	113	112	111	105	101	103	102
4000K Fixture Efficacy (Lm/W)	100	100	106	114	110	113	107	119	115	113	113	112	107	104	122	121
3000K Fixture Output (Lm)	1,300	1,600	1,850	2,000	2,250	2,650	3,250	2,400	3,000	3,300	3,750	4,250	4,950	5,800	6,700	7,700
4000K Fixture Output (Lm)	1,300	1,600	1,900	2,050	2,300	2,700	3,200	2,500	3,000	3,400	3,750	4,300	5,050	5,900	7,950	9,100
LED L70 (Hours)	> 100,000 hours @ maximum drive current															

PHOTOCELL & CONTROLS	
Photocell Options	20 - year life photocell available.
Control & Monitoring	Dimming power supply (1-10V) is standard equipment. DALI option is available with 700mA driver (120-277V) only. We offer a complete range of control and monitoring solutions.

1. Not all model configurations are DLC qualified - consult factory for details. 2. Only products with a CCT of 3000K (or less) meet International Dark Sky Association requirements.

Values shown are subject to ±5% tolerance. Color temperatures shown are ±300K type 2ES distribution. If post-top version is specified, add 5.4" (137 mm) to overall length dimension. Illustrated Above: NXT-LITE-S in grey (RAL 7035). All information provided is subject to change without notice.

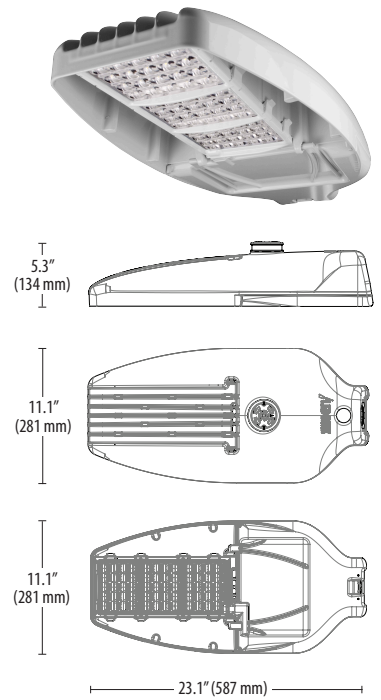
NXT LITE SERIES

NXT-LITE-M SPECIFICATIONS

Housing: Single piece, die-cast A360 aluminum
 Operating Temperature: -40°C to +40°C (-40°F to +104°F)
 Mounting: 1.625" - 2.375" (42 - 60 mm) O.D. Tenons
 Mounting Methods: Horizontal Entry or Post-Top Mount
 Weight: 15 lbs (6.8 kg)
 EPA Rating: <0.5 ft² (< 0.047 m²)
 Ingress Protection: Power supply and optical assembly are IP66 rated per IEC 60529/ANSI C136.25. Luminaire is rated for wet locations. IP66 wiring chamber (optional).
 Finish: Durable polyester powdercoat topcoat.

Available Colors:

GREY (RAL 7035)



	NXT-LITE-M (60 LEDs)								NXT-LITE-M (60 LEDs)
ELECTRICAL									
LED Voltage (V)	3								12
Drive Currents (mA)	350	450	525	600	700	850	950	300	
Power Consumption (W)	68	86	100	114	134	162	180	213	
Input Voltage (V)	120 - 277V (Standard), 347 - 480V (Optional)								
Surge Protection	Meets ANSI C136.2-2015 extreme electrical transient immunity requirements (20kV/10kA)								
Power Factor	>0.90								
Receptacle	7-PIN receptacle (ANSI C136.41)								
OPTICS & PERFORMANCE									
Photometry (Distribution)	2ES, 3LM								
Color Temperature (CCT)	4000K (Standard), 3000K (Optional)								
Color Rendering Index (CRI)	70								
3000K Fixture Efficacy (Lm/W)	119	117	114	111	110	104	103	116	
4000K Fixture Efficacy (Lm/W)	130	129	126	123	122	115	111	129	
3000K Fixture Output (Lm)	8,050	10,100	11,450	12,700	14,800	16,900	18,550	24,700	
4000K Fixture Output (Lm)	8,900	11,150	12,600	14,050	16,350	18,650	19,950	27,500	
LED L70 (Hours)	> 100,000 hours @ maximum drive current								
PHOTOCELL & CONTROLS									
Photocell Options	20 - year life photocell available.								
Control & Monitoring	Dimming power supply (1-10V) is standard equipment. We offer a complete range of control and monitoring solutions.								

1. Applies to NXT-LITE-M (3V LEDs/Standard) 2. Not all model configurations are DLC qualified - consult factory for details. 3. Only products with a CCT of 3000K (or less) meet International Dark Sky Association requirements.

Values shown are subject to ±5% tolerance. Color temperatures shown are ±300K type 2ES distribution. If post-top version is specified, add 5.4" (137 mm) to overall length dimension. Illustrated Above: NXT-LITE-M in grey (RAL 7035). All information provided is subject to change without notice.

NXT LITE SERIES

STANDARD OUTPUT ORDERING INFORMATION

Example catalog number: L0-16S-5-7-2ES-4-S-GY-4-UL-2-S-A

SERIES	LEDS / BODY	VOLTAGE ¹	RECEPTACLE ²	OPTICS	DRIVE CURRENT
L0			7		
L0 - NXT-LITE	08S - Small 16S - Small	5 - 120 - 277V 6 - 347 - 480V	7 - 7-PIN Receptacle (C136.41)	2ES - Type II Max Throw 3LM - Type III Medium	3 - 350mA 4 - 450mA 5 - 525mA 6 - 600mA 7 - 700mA 8 - 850mA B - 1050mA
L0 - NXT-LITE	60M - Medium	5 - 120 - 277V 6 - 347 - 480V	7 - 7-PIN Receptacle (C136.41)	2ES - Type II Max Throw 3LM - Type III Medium	3 - 350mA 4 - 450mA 5 - 525mA 6 - 600mA 7 - 700mA 8 - 850mA 9 - 950mA

DRIVER OPTION ³	FINISH	TEMPERATURE (CCT) ⁴	CERTIFICATION	MOUNTING METHOD ⁶	WIRING CHAMBER
	GY				
S - Standard Dimming (1-10V) D - DALI	GY - Grey (RAL 7035)	4 - 4000K (Standard) 3 - 3000K (Optional)	UL - cULus CE - European NM - NOM - Mexico	2 - 2-Bolt Horizontal Mount 4 - 4-Bolt Horizontal Mount	S - Standard B - IP66 and Class II (CE only)
S - Standard Dimming (1-10V)	GY - Grey (RAL 7035)	4 - 4000K (Standard) 3 - 3000K (Optional)	UL - cULus NM - NOM - Mexico ⁵	2 - 2-Bolt Horizontal Mount 4 - 4-Bolt Horizontal Mount	S - Standard B - IP66 and Class II (CE only)

SURGE PROTECTION	OTHER OPTIONS
A	
A - 20 kV / 10 kA Fail-Off	If applicable, insert 4 digit Special Product Request code (SPR)
A - 20 kV / 10 kA Fail-Off	If applicable, insert 4 digit Special Product Request code (SPR)

CATALOG NUMBER:

L0- _ _ - _ - 7- _ _ - _ - _ - GY- _ - _ - _ - _ - A- _ _ _ _

Include shorting caps 120-480V UL/CE with order? Yes No

Project Name:	Comments
Quantity:	
Approved By:	
Date:	

1. 347-480V only with 16 LED, 30W and above. 2. If photocells are required, they must be ordered separately. 3. DALI only available up to 700mA, 120 - 277 V. 4. Other color temperatures available. 5. NOM certification only supports models up to 700mA drive current. 6. If post-top mount required, bracket must be ordered separately. Available with 2 bolt mount only.

By completing the Order Confirmation above, I certify that I am authorized to sign the confirmation on behalf of the company. Information provided is subject to change without notice. LED Roadway Lighting Ltd. supplies and warrants luminaires and proprietary control systems only. It is the responsibility of the client to select lighting poles and mounting arms that are suitable for the application (including but not limited to wind loading, seismic requirements, etc.) and the characteristics of the luminaire (e.g. EPA rating), and to confirm integrity and suitability of existing poles and mounting arms prior to installation.



115 Chain Lake Drive, Halifax,
Nova Scotia, Canada, B3S 1B3

T: +1.877.533.5755
F: +1.888.533.5755

ledroadwaylighting.com
info@ledroadwaylighting.com

NXT^{LITE} SERIES

HIGH OUTPUT ORDERING INFORMATION

Example catalog number: LH-16S-5-7-2ES-3-S-GY-4-UL-2-S-A

SERIES	LEDS / BODY	VOLTAGE	RECEPTACLE ¹	OPTICS	DRIVE CURRENT
LH			7		
LH - NXT-LITE	16S - Small 60M - Medium	5 - 120 - 277V 6 - 347 - 480V	7 - 7-PIN Receptacle (C136.41)	2ES - Type II Max Throw 3LM - Type III Medium	W - 300mA 3 - 350mA ³
<small>NXT-LITE-S / NXT-LITE-M High Output</small>	<small>NXT-LITE-S / NXT-LITE-M High Output</small>	<small>NXT-LITE-S / NXT-LITE-M High Output</small>	<small>NXT-LITE-S / NXT-LITE-M High Output</small>	<small>NXT-LITE-S / NXT-LITE-M High Output</small>	<small>NXT-LITE-S / NXT-LITE-M High Output</small>

DRIVER OPTION	FINISH	TEMPERATURE (CCT) ⁴	CERTIFICATION	MOUNTING METHOD ⁵	WIRING CHAMBER
	GY				
S - Standard Dimming (1-10V) D - DALI (120 - 277 V)	GY - Grey (RAL 7035)	4 - 4000K (Standard) 3 - 3000K (Optional)	UL - cULus CE - European	2 - 2-Bolt Horizontal Mount 4 - 4-Bolt Horizontal Mount	S - Standard B - IP66 and Class II (CE only)
<small>NXT-LITE-S / NXT-LITE-M High Output</small>	<small>NXT-LITE-S / NXT-LITE-M High Output</small>	<small>NXT-LITE-S / NXT-LITE-M High Output</small>	<small>NXT-LITE-S / NXT-LITE-M High Output</small>	<small>NXT-LITE-S / NXT-LITE-M High Output</small>	<small>NXT-LITE-S / NXT-LITE-M High Output</small>

SURGE PROTECTION	OTHER OPTIONS
A	
A - 20 kV / 10 kA Fail-Off	If applicable, insert 4 digit Special Product Request code (SPR)
<small>NXT-LITE-S / NXT-LITE-M High Output</small>	<small>NXT-LITE-S / NXT-LITE-M High Output</small>

CATALOG NUMBER:

LH- _ _ - _ -7- _ _ - _ - _ -GY- _ - _ - _ - _ -A- _ _ _ _

Include shorting caps 120-480V UL/CE with order? Yes No

Project Name:	Comments
Quantity:	
Approved By:	
Date:	

1. If photocells are required, they must be ordered separately. 2. 3AH not available with NXT-LITE medium body. 3. 350mA drive current not available with NXT-LITE M. 4. Other color temperatures available.
5. If post-top mount required, bracket must be ordered separately. Available with 2 bolt mount only.

By completing the Order Confirmation above, I certify that I am authorized to sign the confirmation on behalf of the company. Information provided is subject to change without notice. LED Roadway Lighting Ltd. supplies and warrants luminaires and proprietary control systems only. It is the responsibility of the client to select lighting poles and mounting arms that are suitable for the application (including but not limited to wind loading, seismic requirements, etc.) and the characteristics of the luminaire (e.g. EPA rating), and to confirm integrity and suitability of existing poles and mounting arms prior to installation.