

S4R-M2

Sigma 4 2-Light Linear Tilting Gimbal LED Fixture Recessed Lighting

Job Information		
Project Name		Type
Location		
Quantity		Date
Contact/Phone		
Notes		

Features

Reflector

Multi-faceted reflector available in spot (20°), medium (35°) or flood (60°) beam angle.

LED Characteristics

Available with high powered BRIDGELUX® LED chip that maintains uniform intensity with a luminous flux of 2800 when used with 1000mA LED driver, or 2000 when used with 800mA LED driver; with a typical 90 CRI and a 50,000 hour life span. Available in 2700 K, 3000 K, 3500 K or 4000 K correlated colour temperature.

Dimming

This fixture is dimmable when used with a TRIAC or 0-10V dimmer (see page 2 for compatible dimmers).

Heat Sink

Cylindrical heat sink constructed of extruded aluminum designed to facilitate heat dissipation and reduce LED junction temperature.

LED Driver

The LED driver is remote mounted from the LED module, to allow for a lower operating temperature of the LED,

longer life and serviceable separate from the LED module. Featuring a power factor greater than 0.9, and THD of less than 20%, the LED module is available in 1000mA or 800mA with Class 2 LED driver; available in 120V, 277V or 347V.

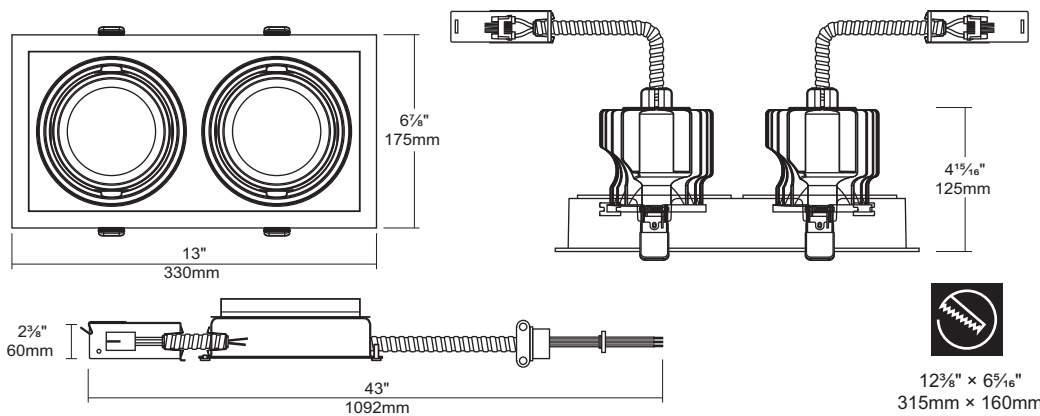
Operating Temperature

-20°C~50°C (-4°F~122°F).

Listing

• cETLus listed for damp locations.

FIXTURE SPECIFICATIONS	
Aperture	3 ⁹ / ₁₆ "
Application	Recessed
Approved Location	Damp
CCT	2700 K / 3000 K / 3500 K / 4000 K
Certification	cETLus
Colour	BK / WH
CRI	90
Cut-hole	12 ³ / ₈ " × 6 ⁵ / ₁₆ "
Dimming	Yes
Dimming Tech	TRIAC / 0-10V
Lamp Type	LED Engine
LM79	Yes
LM80	Yes
Lumens	2800 / 2000
Power Factor	>0.9
Power Supply Type	Constant Current
Primary Voltage	120V / 277V / 347V
Lumen Maintenance	70% @ 50,000 Hrs
Warranty	5 Years
THD	<20%



Description

The Sigma 4 LED fixture provides for a small profile installation, allowing for installation in small spaces in various applications. The retrofit design of this fixture makes for easy installation. A low operational cost and maintenance-free alternative to incandescent or CFL downlights.



Notes: For additional options please consult your A-Line representative. Due to our continued efforts to improve our products, product specifications are subject to change without notice.

Ordering Guide

Colour Temp.	Beam Angle	LED Engine	Driver	Trim Colour	Accessory
S4R-M2					
27 : 2700 K 30 : 3000 K 35 : 3500 K 40 : 4000 K	S : Spot (20°) M : Medium (35°) F : Flood (60°)	1000 : 1000mA – 39W, 2800 lm, non-IC 800 : 800mA – 30W, 2000 lm, non-IC	1 : 120V 2 : 277V 3 : 347V	BK : Black WH : White	1 : Honeycomb Louver 2 : Solite Lens 3 : Linear Clear Lens

* Not for use in insulated ceilings.

Compatible Phase-Cut Dimmers – 120V

Brand	Model	Brand	Model
Lutron	S-603PG	Leviton	IPI06-1IZ
	DVCL-153P		6631-2
	DV-600P		VPE06
	TGCL-153P		6683-IW
	S-600P		6161
	DVELV-303P		6633-P
	SELV-300P		IPE04
	TG-600P	DLC03P	
	LG-600P	SLC03P	
	CT-103P	DAL06P	
	MAELV-600	Lightolier	ZP260QEW
	FAELV-500		

Compatible 0-10V Dimmers

- Lutron, Nova series (NTFV)
- Lutron, Diva series (DVTV)
- Leviton, IllumaTech series (IP710-DL)