

IMPORTANT: Read all instructions before installing fixture. Retain for future reference.

SAFETY: This fixture must be wired in accordance with local electrical codes and ordinances. Carefully observe grounding procedure under installation section. All work should be done by a qualified electrician.

WARNING: Make certain power is OFF from the electrical panel before starting installation or attempting any maintenance.

TOOLS REQUIRED:

- Keyhole saw
- Wire strippers
- Tape measure
- Wire nuts

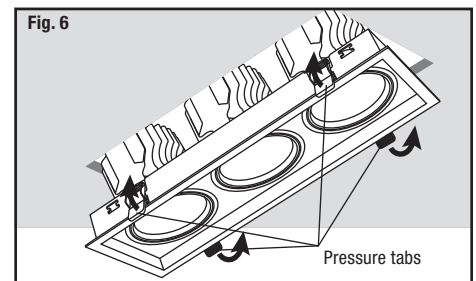
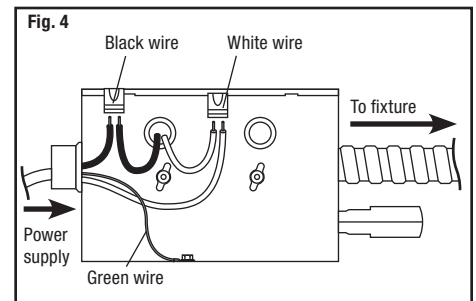
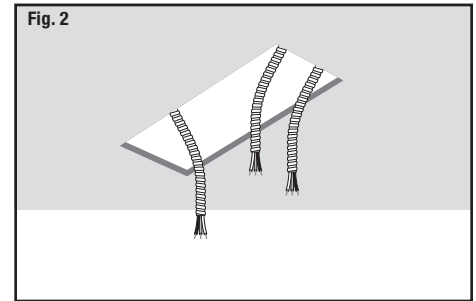
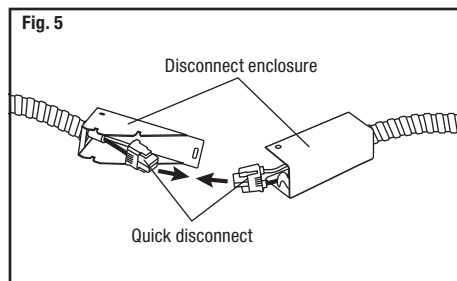
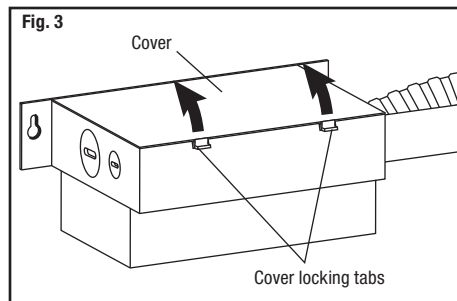
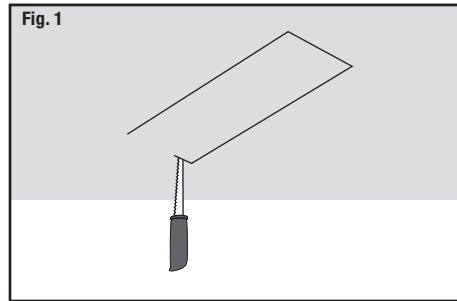
INSTALLATION INSTRUCTIONS:

1. Measure distance from walls and mark position of fixture to be installed on ceiling.
2. Carefully scribe hole template, in accordance to cut hole size, on desired location.
3. Carefully cut hole in ceiling (Fig. 1).
4. Follow steps 1 through 4 under "electrical connections".
5. Connect hardwire box to engine by connecting the quick disconnect and securing the disconnect enclosure (Fig. 5).
6. Pass the hardwire box and attached bx cable through the hole and secure the hardwire box to joist.
7. Push the pressure tabs upwards towards the LED engine (Fig. 6).
8. Push the fixture through the hole until the trim is flush with the ceiling. Pressure tabs will retract to hold trim in place.

ELECTRICAL CONNECTIONS:

1. Provide electrical service according to your local electrical code for a suitable junction box. Supply wire insulation must be rated for at least 90°C (Fig. 2).
2. Remove the hardwire box cover. Remove the appropriate knock-out(s) to accommodate the type of electrical service to be used (Fig. 3).
3. Insert electrical supply cable through knock-out in the hardwire box and secure with cable connector. Wire hardwire box using pre-installed push-in connectors. Do the wiring as per NEC (National Electric Code) standards. Connect green ground wire of cable to green wire on fixture. Connect white wire of cable to white wire of fixture. Connect black wire of cable to black wire of fixture (Fig. 4).
4. Place all wiring and connections back in junction box and replace cover.
5. Driver enclosure must be attached to structure or joist. Access above ceiling maybe required (Fig. 3).

These instructions do not claim to cover all details or variations in the equipment, procedure, or process described, nor to provide directions for meeting every possible contingency during installation, operation or maintenance. When additional information is desired to satisfy a problem not covered sufficiently for user's purpose, please call the technical support toll free number listed below.



Hole Cut Size **6-5/16" × 18-1/8"**
(160mm × 460mm)