


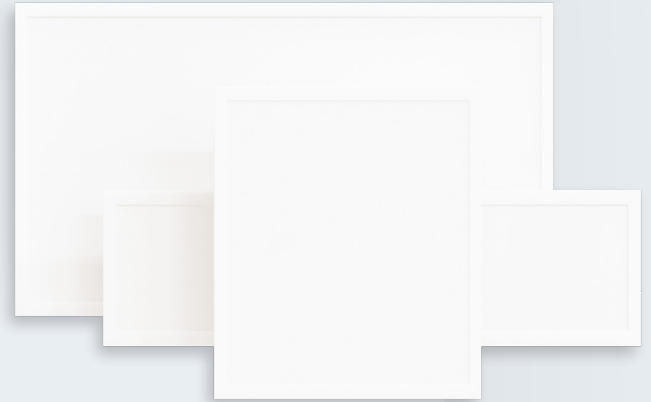
Date		Project	
Type		Part Number	


 ALL-IN-ONE PERFORMANCE LIGHTING

# AIM Series

## Sensor-Ready Backlit Panel

RENO Lighting's Aim series sensor-ready backlit panel is a versatile lighting fixture. With even light distribution and a seamless design, the Aim Series technologies allow for numerous configurations of light in one fixture, making it extremely versatile to suit various application needs. This panel is proven efficient and provides uniform light with a long maintenance-free life.



### PRODUCT FEATURES

- DLC Premium
- Choose from either RENO Smart Bluetooth PIR or Standalone PIR Sensor when ordering
- Surface Mount, T-Grid, or Suspended Installation
- Backlit technology that offers even light distribution without shadowing
- Available in 1x4, 2x2, & 2x4
- Damp location suitable
- Rated Lifespan: L70 ~100,000 hrs
- Operational Temperature: -4°F to +122°F (-20°C to +50°C)
- 7 year warranty

### KEY SPECIFICATIONS

<b>Voltage</b>	120-347V
<b>Wattage</b>	<b>Selectable Wattages</b> <b>1x4:</b> 20/25/30/40W <b>2x2:</b> 20/25/30/40W <b>2x4:</b> 30/40/50/60W
<b>Sizes</b>	1x4, 2x2, & 2x4
<b>Power Factor</b>	>0.9
<b>CCT</b>	<b>Selectable CCT</b> 35/40/5000K
<b>CRI</b>	>80
<b>Lumens</b>	2,600 - 8,400 lm
<b>Beam Angle</b>	125°
<b>Dimming</b>	0-10V
<b>Mounting</b>	Surface, T-Grid, Suspension
<b>Applications</b>	Commercial, Residential, Warehouse, Retail Facilities


 EMERGENCY  
 BACKUP READY

 RENO SMART  
 NLC SYSTEM

 STANDALONE  
 SENSOR OPTIONS

## SPECIFICATIONS – 1X4 MULTI POWER (20/25/30/40W)

Order#	Model	Wattage	Voltage	Lumens	Efficacy	CCT
R35311	RENO-14BLPL-UNV/347-MWMCCT-HL-MS	20W	120-347V	2,500 lm	125 lm/W	3500K
				2,600 lm	130 lm/W	4000K
				2,540 lm	127 lm/W	5000K
		25W	120-347V	3,125 lm	125 lm/W	3500K
				3,250 lm	130 lm/W	4000K
				3,175 lm	127 lm/W	5000K
		30W	120-347V	3,750 lm	125 lm/W	3500K
				3,900 lm	130 lm/W	4000K
				3,810 lm	127 lm/W	5000K
		40W	120-347V	5,008 lm	125 lm/W	3500K
				5,200 lm	130 lm/W	4000K
				5,080 lm	127 lm/W	5000K

## SPECIFICATIONS – 2X2 MULTI POWER (20/25/30/40W)

Order#	Model	Wattage	Voltage	Lumens	Efficacy	CCT
R35312	RENO-22BLPL-UNV/347-MWMCCT-HL-MS	20W	120-347V	2,500 lm	125 lm/W	3500K
				2,600 lm	130 lm/W	4000K
				2,540 lm	127 lm/W	5000K
		25W	120-347V	3,125 lm	125 lm/W	3500K
				3,250 lm	130 lm/W	4000K
				3,175 lm	127 lm/W	5000K
		30W	120-347V	3,750 lm	125 lm/W	3500K
				3,900 lm	130 lm/W	4000K
				3,810 lm	127 lm/W	5000K
		40W	120-347V	5,008 lm	125 lm/W	3500K
				5,200 lm	130 lm/W	4000K
				5,080 lm	127 lm/W	5000K

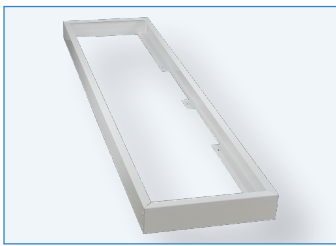
## SPECIFICATIONS – 2X4 MULTI POWER (30/40/50/60W)

Order#	Model	Wattage	Voltage	Lumens	Efficacy	CCT
R35313	RENO-24BLPL-UNV/347-MWMCCT-HL-MS	30W	120-347V	3,750 lm	125 lm/W	3500K
				3,990 lm	133 lm/W	4000K
				3,900 lm	130 lm/W	5000K
		40W	120-347V	5,000 lm	125 lm/W	3500K
				5,320 lm	133 lm/W	4000K
				5,200 lm	130 lm/W	5000K
		50W	120-347V	6,250 lm	125 lm/W	3500K
				6,650 lm	133 lm/W	4000K
				6,500 lm	130 lm/W	5000K
		60W	120-347V	7,500 lm	125 lm/W	3500K
				8,004 lm	133 lm/W	4000K
				7,800 lm	130 lm/W	5000K

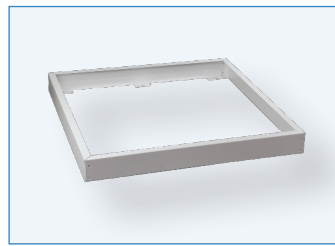
## DLC CERTIFICATION

Order#	Model	Application	DLC Standard	DLC Premium
R35311	RENO-14BLPL-UNV/347-MWMCCT-HL-MS	Low-Bay Luminaires for Commercial and Industrial Buildings	S-JCSD3L	–
		Luminaires for Ambient Lighting of Interior Commercial Spaces	–	S-EPG3HS
R35312	RENO-22BLPL-UNV/347-MWMCCT-HL-MS	Low-Bay Luminaires for Commercial and Industrial Buildings	S-40F7RG	–
		Luminaires for Ambient Lighting of Interior Commercial Spaces	–	S-OFVXRH
R35313	RENO-24BLPL-UNV/347-MWMCCT-HL-MS	Low-Bay Luminaires for Commercial and Industrial Buildings	–	S-TZQ2QX
		Luminaires for Ambient Lighting of Interior Commercial Spaces	–	S-TNFHUK

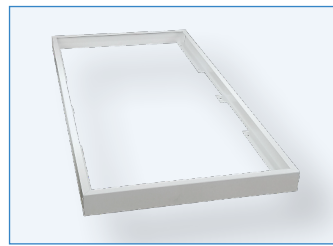
## ACCESSORIES – MOUNTING



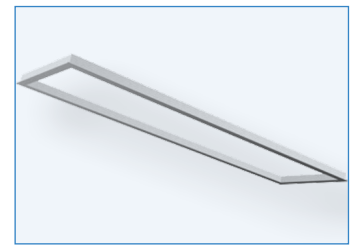
R39201  
RENO-SMK14  
1X4 Surface Mount Frame



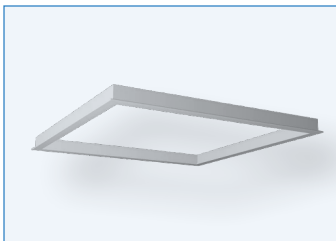
R39202  
RENO-SMK22  
2X2 Surface Mount Frame



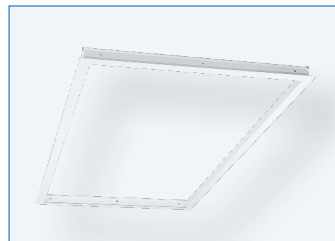
R39203  
RENO-SMK24  
2X4 Surface Mount Frame



R39211  
RENO-RFK14  
1X4 Recessed Flange Kit



R39212  
RENO-RFK22  
2X2 Recessed Flange Kit



R39213  
RENO-RFK24  
2X4 Recessed Flange Kit



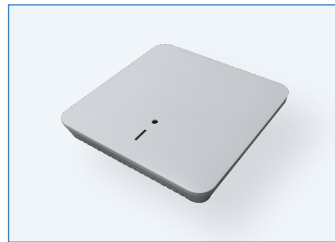
R39204  
RENO-RP-ROPE  
Aircraft Suspension Cable

Order#	Model	Description
R39201	RENO-SMK14	1'x4' Surface Mount Frame
R39202	RENO-SMK22	2'x2' Surface Mount Frame
R39203	RENO-SMK24	2'x4' Surface Mount Frame
R39211	RENO-RFK14	1'x4' Recessed Flange Kit
R39212	RENO-RFK22	2'x2' Recessed Flange Kit
R39213	RENO-RFK24	2'x4' Recessed Flange Kit
R39204	RENO-RP-ROPE	Aircraft Suspension Cable for 1'x4' fixture Aircraft Suspension Cable for 2'x2' fixture Aircraft Suspension Cable for 2'x4' fixture

## ACCESSORIES – RENO SMART NLC SENSORS



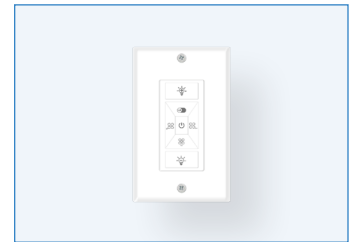
R75003  
RENO-RS-BPRN-12V  
Fixture Mounted Blue PIR  
Sensor (Quick Connector)



R75201  
RENO-RS-GW-BCNW  
Ceiling Mounted Gateway for  
RENO Smart NLC System



R75301  
RENO-RS-RC-BNNN  
5-Key Reset Remote Controller



R75302  
RENO-RS-RC-BNNG  
7-Key Smart Wall Switch for  
RENO Smart NLC System

Order#	Model	Description
R75003	RENO-RS-BPRN-12V	Fixture Mounted Blue PIR Sensor (Quick Connector)
R75201	RENO-RS-GW-BCNW	Ceiling Mounted Gateway for RENO Smart NLC System
R75301	RENO-RS-RC-BNNN	5-Key Reset Remote Controller
R75302	RENO-RS-RC-BNNG	7-Key Smart Wall Switch for RENO Smart NLC System

## ACCESSORIES – STANDALONE SENSOR & REMOTES



R74001  
RENO-SENSOR-PIR-H  
PIR Dimming sensor for Troffer



R73002  
RENO-REMOTE-H  
Remote Control for Standalone  
Sensors (With Screen)



R73005  
RENO-REMOTE-H-ECO  
Remote Control for Standalone  
Sensors (Without Screen)

Order#	Model	Description
R74001	RENO-SENSOR-PIR-H	PIR Dimming Sensor for Troffer **Sensor must be configured with a remote**
R73002	RENO-REMOTE-H	Remote Control for Standalone Sensors (With Screen)
R73005	RENO-REMOTE-H-ECO	Remote Control for Standalone Sensors (Without Screen)

## ACCESSORIES – EMERGENCY LED DRIVERS

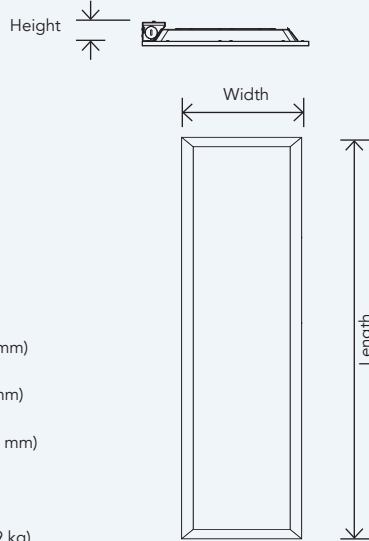


R83001  
RENO-EM-H15  
Emergency LED Driver  
(100-347V AC, 50-60Hz, 15W)

Order#	Model	Description
R83001	RENO-EM-H15	Emergency LED Driver (100-347V AC, 50-60Hz, 15W)

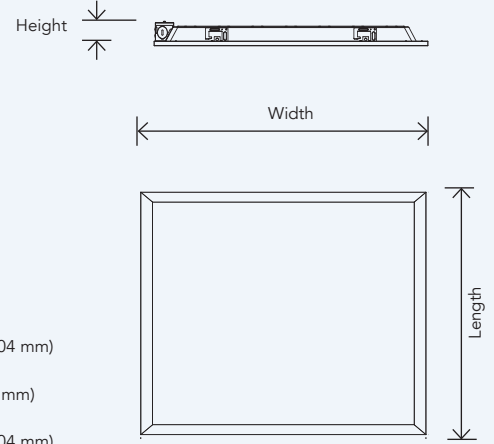
## DIMENSIONS

### 1X4



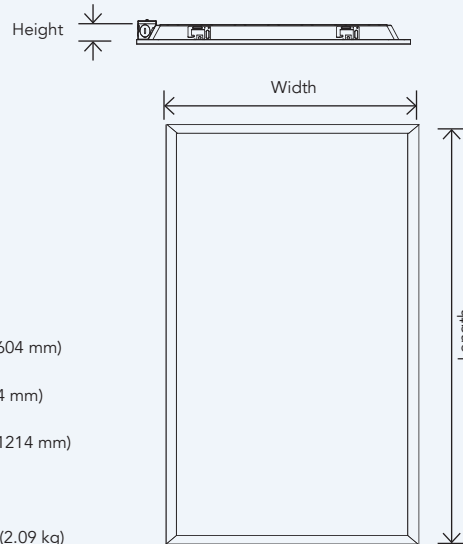
Width: 12.0" (304 mm)  
 Height: 1.8" (45.4 mm)  
 Length: 47.8" (1214 mm)  
 Weight: 3.5 lbs (1.59 kg)

### 2X2



Width: 23.9" (604 mm)  
 Height: 1.7" (44 mm)  
 Length: 23.9" (604 mm)  
 Weight: 3.5 lbs (1.59 kg)

### 2X4



Width: 23.9" (604 mm)  
 Height: 1.7" (44 mm)  
 Length: 47.8" (1214 mm)  
 Weight: 4.6 lbs (2.09 kg)